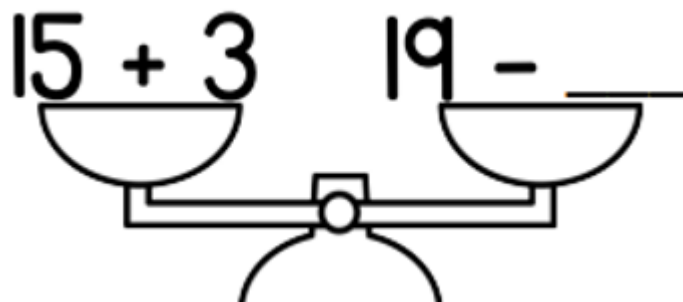
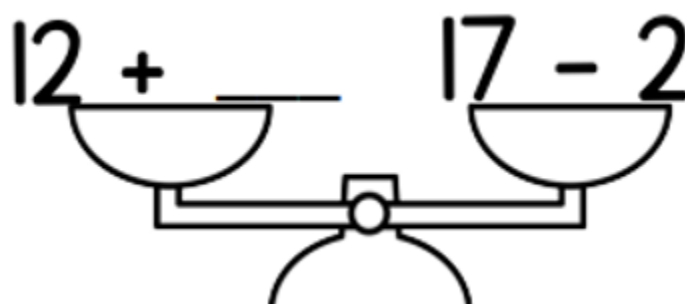
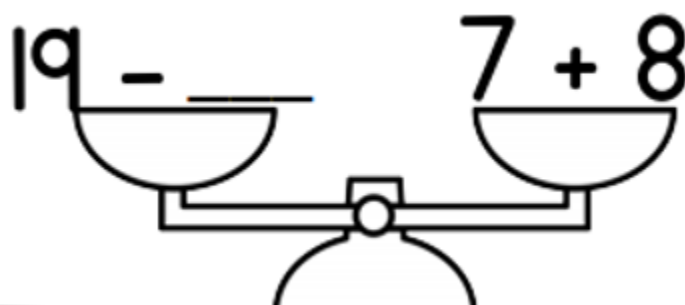
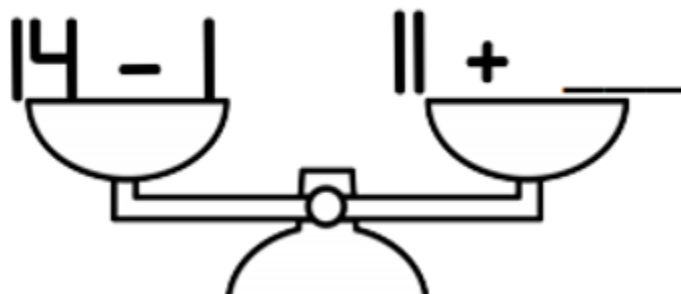


NAME \_\_\_\_\_ DATE \_\_\_\_\_

## BALANCE EQUATIONS UP TO 20



NAME \_\_\_\_\_ DATE \_\_\_\_\_

## BALANCE EQUATIONS UP TO 20 ... 2

